

rentricity

**Rentricity
Overview**



www.rentricity.com

160 Varick St. New York, NY 10013



**Rentricity Provides Clean Energy Recovery for the
Potable, Waste and Industrial Water Industries**

Water Company Services

- Energy Recovery & Monitoring using Flow-to-Wire™ Systems

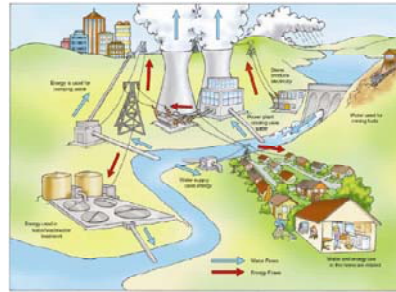
Benefits

- Offset Electricity Rate Increases
- Revenue Generation
- Public Goodwill
- Corporate Responsibility
- Reduced Carbon Footprint
- Security & Monitoring
- Operational Efficiency

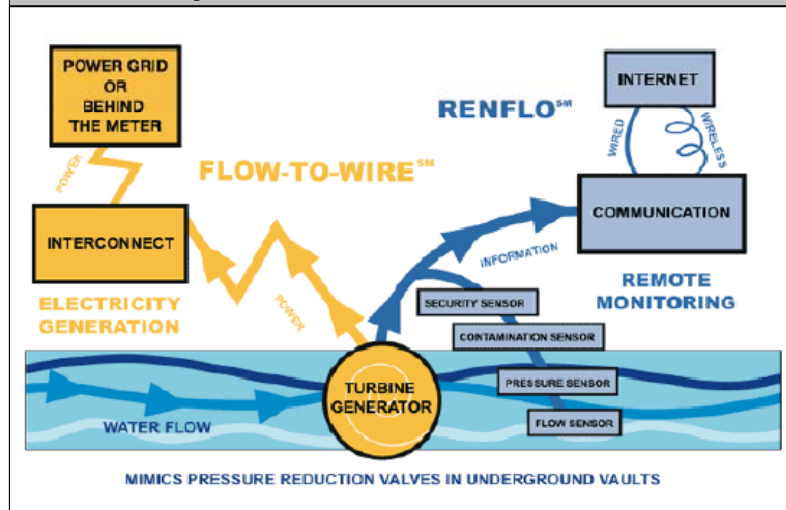


Water - Energy Connection

- Drinking water and wastewater consume:
 - 3% of domestic electricity
 - 7% of worldwide electricity
 - 19% of California electricity
- Water utility energy use varies from 0.25 to 3.5 kWh per 1,000 gallons of drinking water produced & delivered
- 85-99% of water treatment plant electric consumption goes to raw water & well pumps, high service pumps, filter backwash pumps, distribution booster pumps
- Source: American Water Presentation – Institute of Public Utilities Conference – 12/11/08



Pipes ~ Pressure ~ Power™





3 Potable Water Application Targets Wastewater & Industrial in Planning Stages



- 2 MGD
- 45 PSI

Urban Site - 50 kW



- 9 MGD
- 40 PSI

Mandated Release - 100 kW



- 25 MGD
- 35 PSI

Transfer Station - 200 kW



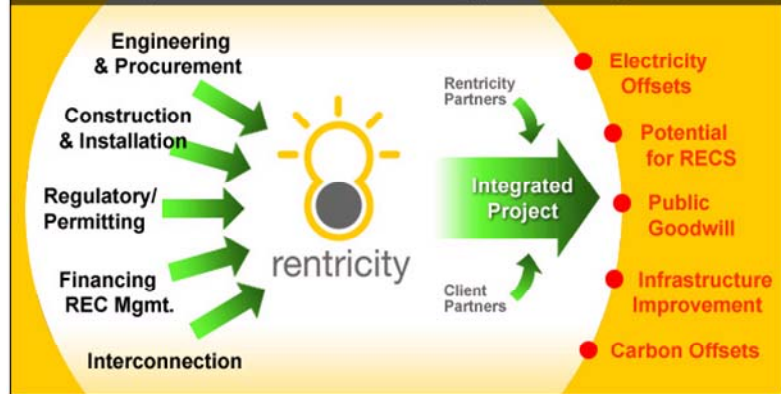
- 25 MGD
- 12 feet

Industrial/Wastewater – 40 kW



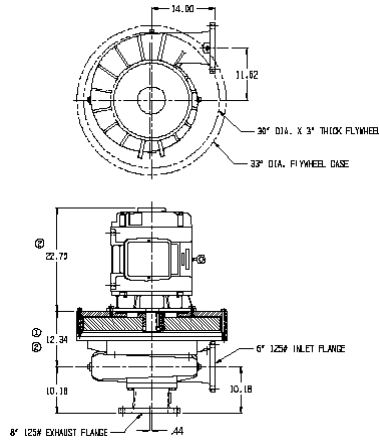
Rentricity Model for Drinking Water, Wastewater & Industrial Water Systems

Rentricity Provides a Total Energy Recovery Solution





Proven Components, Uniquely Configured



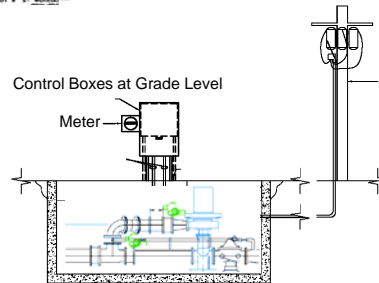
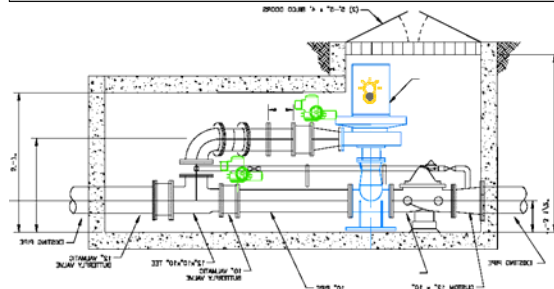
Flow-to-WireSM Components

- Turbine-Generator
 - Interconnection Package
 - Pressure Reduction Valve
 - Integrated Sensors
- 80%+ Standardized
 - Lifespan Up to 40 Years

Rentricity patents are under development



Demonstration Installation





Current 2009 Development Projects



California

225 kW

PSV

New England

50 kW

PRV

Pennsylvania

30 kW

Release



rentricity

Contact Information

P: 617.733.9703

Allie Corless

alliec@rentricity.com